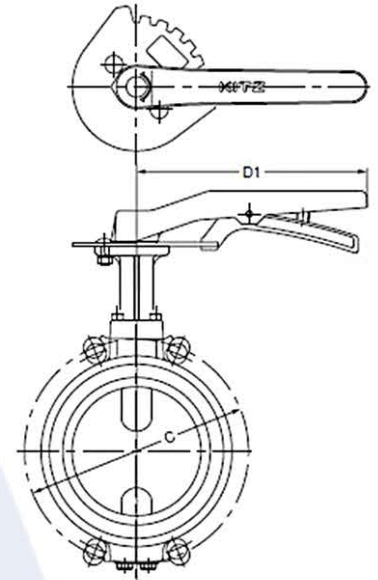
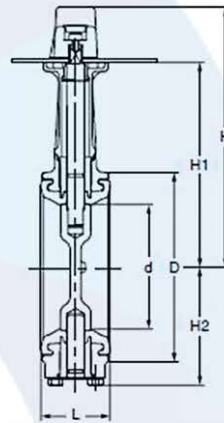


10XJME (Size: "1½" to "6")

10XJMEA (Size: "1½" to "8")

PN16XJME (Size: "2" to "6")



■ Dimensions

unit : mm

Size		d	H	H1	H2	L
mm	inch					
40	1½	40	172	128	40	33
50	2	50	176	132	66	43
65	2½	65	185	141	74	46
80	3	80	193	149	83	46
100	4	100	204	160	94	52
125	5	125	249	195	122	56
150	6	150	261	207	135	56
200	8	196	281	234	161	60

■ Dimensions

unit : mm

Size		D	C			D1
mm	inch		10K	Class 150	PN16	
40	1½	80	105	98.5	—	180
50	2	93	120	120.5	125	180
65	2½	118	140	139.5	145	180
80	3	129	150	152.5	160	180
100	4	149	175	190.5	180	180
125	5	184	210	216	210	230
150	6	214	240	241.5	240	230
200	8	259	—	298.5	—	350

