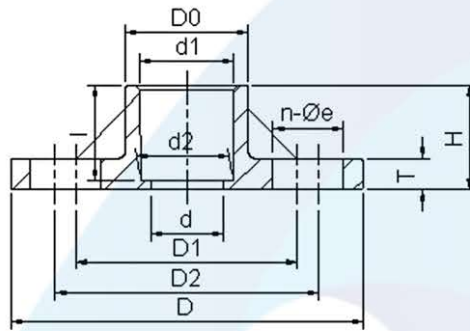
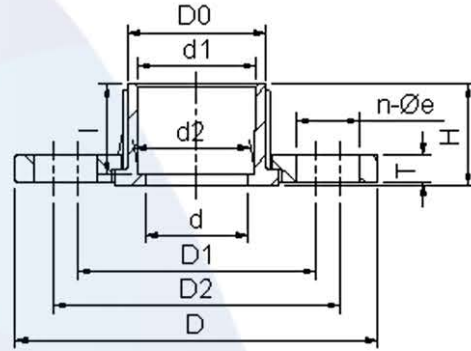


UNIVERSAL FLANGE (ONE-PIECE, VAN STONE/TWO-PIECE)



One-Piece



Van Stone Flange

SIZE	DO	d1				d2			
		ANSI	DIN	JIS	CNS	ANSI	DIN	JIS	CNS
1/2"(15)	32	21.54	20.3	22.3	22.4	21.23	20.1	21.7	21.9
3/4"(20)	35	26.87	25.3	26.3	26.4	26.57	25.1	25.7	25.9
1"(25)	42	33.65	32.3	32.33	34.5	33.27	32.1	31.67	33.9
1-1/4"(32)	52	42.42	40.3	38.43	42.5	42.04	40.1	37.57	41.9
1-1/2" (40)	62	48.56	50.3	48.46	48.6	48.11	50.1	47.54	47.9
2"(50)	76	60.63	63.3	60.56	60.6	60.17	63.1	59.44	59.9
2-1/2"(65)	90	73.38	75.3	76.6	76.7	72.85	75.1	75.87	75.9
3"(80)	108	89.31	90.4	89.6	89.7	88.7	90.1	88.83	88.9
4"(100)	132	114.76	110.4	114.7	114.7	114.1	110.1	113.98	113.8

All Units in mm unless underwise stated

SIZE	d	D1	D2	D	I	H	T	n-Ø e
1/2"(15)	15	60.3	70	95	32	35	14	4-16
3/4"(20)	20	70	75	105	37	40	15	4-16
1"(25)	25	79.4	90	125	40	45	16	4-19
1-1/4"(32)	32	88.9	100	140	44	49	16	4-19
1-1/2" (40)	43	98.4	110	150	54	59	19	4-19
2"(50)	55	120	125	165	61	66	21	4-19
2-1/2"(65)	63	139.5	145	185	61	70	25	4-19
3"(80)	80	150	160	200	64.5	73	27	8-19
4"(100)	102	175	190.5	224	83.5	93	29	8-19

All Units in mm unless underwise stated

