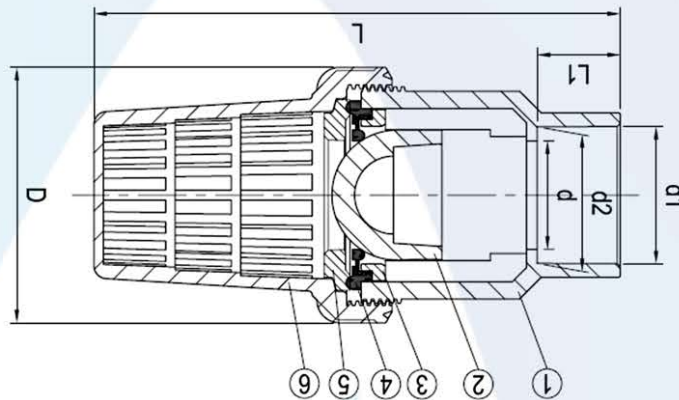


FOOT VALVE



Vertically Installed, the arrow should point upwards
Ball Sealing Design
Easy to use, Convenient

NO.	PART	MATERIAL	QTY
1	BODY	UPVC/CPVC/PPH	1
2	HALF-SPHERICAL BALL	UPVC/CPVC/PPH	1
3	BALL CAP	UPVC/CPVC/PPH	1
4	SEAL	EPDM/VITON	1
5	GASKET	UPVC/CPVC/PPH	1
6	FILTER CAP	UPVC/CPVC/PPH	1



SIZE	d	d1			
		ANSI	DIN	JIS	CNS
1/2"(15)	15	21.40	20.25	22.30	22.40
3/4"(20)	20	26.75	25.25	26.30	26.40
1"(25)	25	33.52	32.25	32.33	34.50
1-1/4"(32)	32	42.28	40.25	38.43	42.50
1-1/2"(40)	40	48.40	50.25	48.46	48.60
2"(50)	50	60.45	63.25	60.56	60.60

SIZE	d	d2				D	L	L1
		ANSI	DIN	JIS	CNS			
1/2"(15)	15	21.25	20.05	21.85	21.90	56.20	91.00	22.80
3/4"(20)	20	26.58	25.05	25.85	25.90	65.20	106.50	26.00
1"(25)	25	33.28	32.05	31.85	33.90	75.20	156.50	29.00
1-1/4"(32)	32	42.05	40.05	37.85	41.90	86.80	176.50	32.50
1-1/2"(40)	40	48.12	50.05	47.75	47.90	100.20	209.00	35.50
2"(50)	50	60.18	63.05	59.75	59.90	120.20	249.50	38.50

All Units in mm unless otherwise stated

