

BUTTERFLY VALVE (HANDLE TYPE/with PNEUMATIC ACTUATOR)



Pressure Rating : 2"-8" 150 PSI @ 73.4° F (23° C)

Low Flow Loss

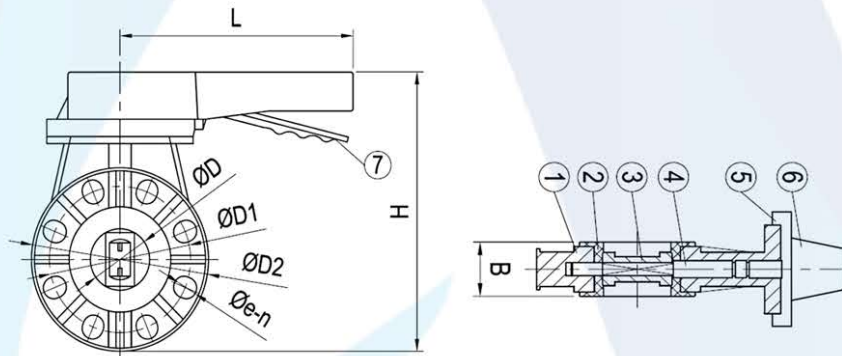
Compact and Light-weight

Clear demarcations on top of body to indicate the opening angle of disc

Suitable for use in compact area

Model SLG-WH

NO.	PART	MATERIAL	QTY
1	BODY	UPVC/CPVC	1
2	SEAL	EPDM/VITON/NBR	1
3	DISC	UPVC/CPVC/PPH	1
4	STEM	SUS316/SUS304/CARBON STEEL	1
5	LOCKING PLATE	UPVC/PPH	1
6	HANDLE	ABS	1
7	HANDLE LEVER	ABS/SUS304	1



SIZE	d	D	DIN	D1 JIS	ANSI	L1
2"(50)	50	160.0	125.0	120.0	121.0	200.0
2-1/2"(65)	65	180.0	145.0	140.0	140.0	200.0
3"(80)	80	195.0	160.0	150.0	152.0	240.0
4"(100)	100	228.0	180.0	175.0	191.0	240.0
5"(125)	125	255.0	210.0	210.0	216.0	310.0
6"(150)	150	280.0	240.0	240.0	241.0	310.0
8"(200)	200	340.0	295.0	290.0	298.0	310.0

SIZE	L	H	H1	H2	n-φe
2"(50)	43.0	220	100	145	4-19
2-1/2"(65)	46.0	247	110	153	4-19
3"(80)	49.0	275	132	180	8-19
4"(100)	54.0	317	155	205	8-19
5"(125)	64.0	362	167	240	8-19
6"(150)	70.0	388	180	250	8-23
8"(200)	88.0	465	225	300	8-23

All Units in mm unless otherwise stated

